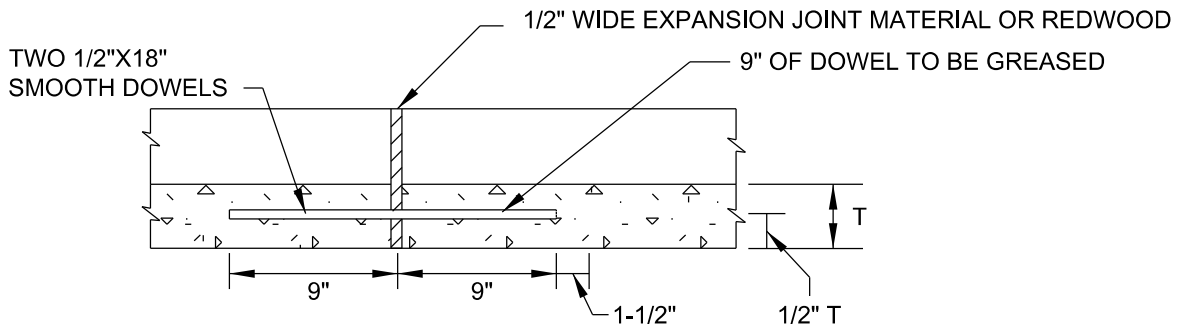
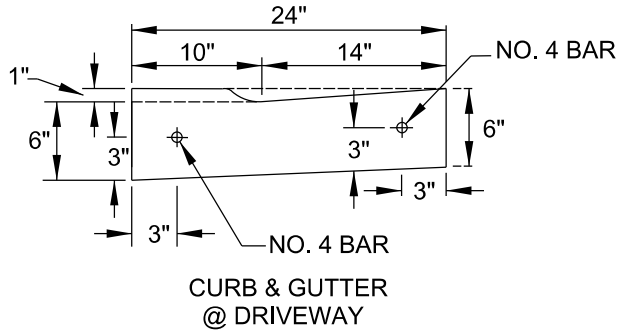
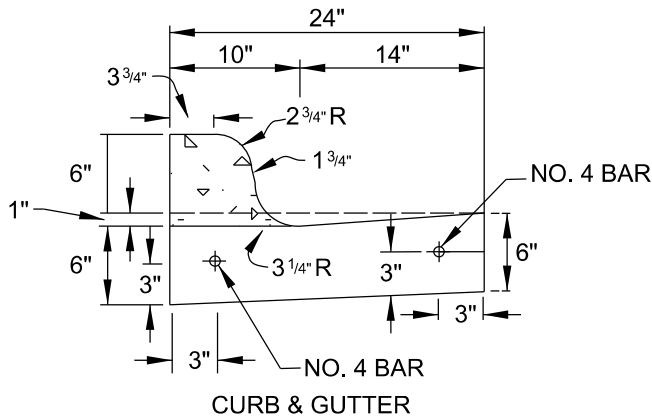


# CURB AND GUTTER



LONGITUDINAL SECTION THRU CURB AND GUTTER  
 SHOWING TYPICAL EXPANSION JOINT DETAILS.  
 REINFORCING STEEL SHALL NOT CROSS EXPANSION JOINTS.  
 STEEL SHALL BE TERMINATED 3" (+ OR - ) 1" FROM FACE OF THE JOINT.

**NOTES:**

1. REINFORCING BARS SHALL BE LAPPED A MINIMUM OF 18".
2. CURB AND GUTTER SHALL HAVE FORMED TOOLED OR SAWED CONTRACTION JOINTS AT ± 10'. THE DEPTH OF THESE JOINTS SHALL BE SUFFICIENT TO ENSURE CRACKING AT THE JOINTS.
3. CURB OR CURB AND GUTTER SHALL HAVE EXPANSION JOINTS AT POINTS OF CURVATURE, AT INTERVALS NO GREATER THAN 100' AND AT ALL ADJACENT STRUCTURES.
4. UNLESS OTHERWISE SHOWN, TRANSITIONS BETWEEN CURBS OR CURBS AND GUTTER OF DIFFERING CROSS SECTION SHALL BE ACCOMPLISHED OVER A 10' LENGTH OR AS APPROVED BY THE CITY ENGINEER.
5. ALL CONCRETE TO BE CLASS "A" 3000 PSI CONCRETE.
6. ALL EXPOSED CONCRETE SURFACES TO BE BRUSHED SMOOTH AND UNIFORM.

DATE APPROVED: 07/2008

DWG. NO: ST-013

SCALE: N.T.S.

DRAWN BY: RAS

SHEET: 1 OF 1

FILENAME: CURB & GUTTER



ENGINEERING  
 DEPARTMENT